

Issue Date: 2024-03-20
Customer: Nordmount
Fabriksgatan 10
331 35, Värnamo / Sweden

Subject: Confirmation letter for NM Hyper Clamp

To Whom It May Concern:

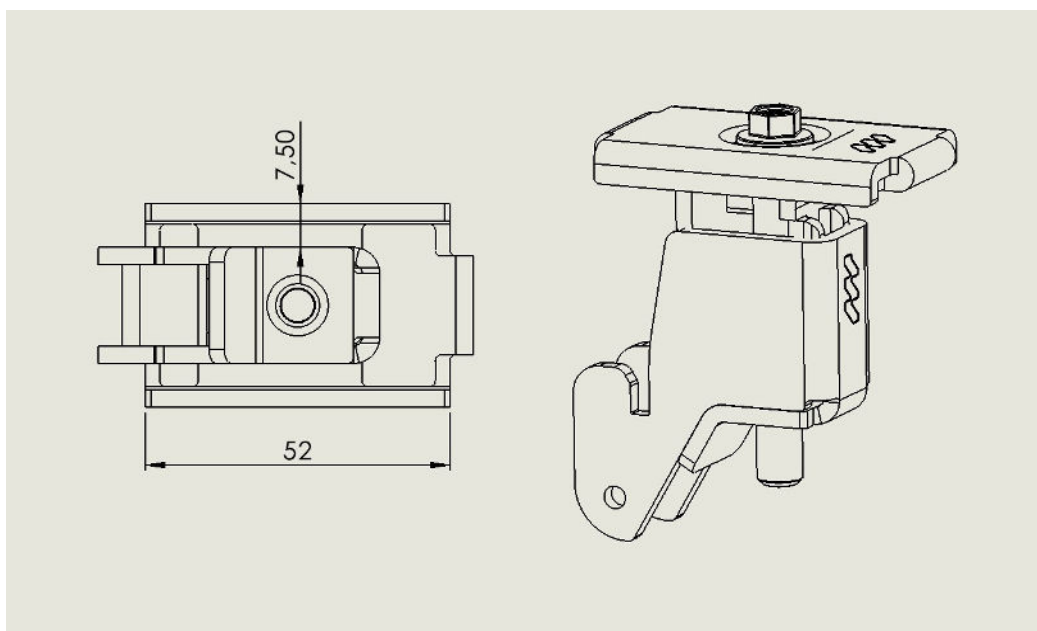
We, LONGi Solar Technology Co., Ltd. ("LONGi"), hereby confirm that our high quality solar modules complying with many international standards including IEC 61215 and IEC 61730 defining module requirements for terrestrial use. Please refer to LONGi Installation Manual for mounting methods that are currently approved.

We hereby confirm that the mounting configuration with NM Hyper Clamps is acceptable. The assembly design and the routines must comply with local electrical and building regulations. System designers and installers are solely responsible for load calculations and correct design of the support structure.

Furthermore module manufacturer will not be responsible for any defects due to the faulty construction, including the design of the clamp.

Appendix:

- Drawing NM Hyper Clamp



Sincerely

Sebastian Pannier (Product Manager)

LONGi Solar Technology Co., Ltd.